

# Sanitary pressure gauge (3-A marking)

## Model: P752S series

Spec. sheet no. PD07-05

### Service intended

P752S series have diaphragm seal to be combined with a pressure gauge. These series are suitable to be used for the situation where corrosive, contaminated, hot, and viscous pressure mediums are present, and it could be used for a chemical, food, beverage, biochemical, and pharmaceutical industry.



### Special features

3-A certificated  
Suitable for SIP and CIP  
All stainless steel and welded construction

### Nominal diameter

50, 63, 80 and 100 mm

### Accuracy

P752 (50 mm) :  $\pm 3.0$  % of full scale  
P752 (63 mm) and P752 (80 mm) :  $\pm 1.6$  % of full scale  
P752 (100 mm) :  $\pm 1.0$  % of full scale

### Scale range

-0.1 ~ 7 MPa

### Working pressure

Steady pressure : 75 % of full scale value  
Fluctuating pressure : 67 % of full scale value

### Working temperature

Ambient : -25 ~ 65 °C  
Fluid : Max. 121 °C

### Temperature effect

Accuracy at temperature above and below the reference temperature (20 °C) will be effected by approximately  $\pm 0.5$  % per 10 °C of full scale



## Standard features

### Process connection

$\frac{3}{4}$ ", 1", 1½" and 2"  
Low and back

### Diaphragm and seal housing

Diaphragm : Stainless steel (316L SS)  
Ra 12 ~ 20  $\mu$ m  
Seal housing : Stainless steel (316SS)

### Case

Stainless steel (304SS)  
Electropolished with pressure relief

### Cover

50 mm : Twist-lock polycarbonate (Diameter 50 mm)  
63, 80 and 100 mm : Stainless steel 304SS

### Window

Safety glass (63, 80 and 100 mm)  
Polycarbonate (50 mm)

### Movement

Stainless steel

### Dial

White aluminium with black and red graduations, dual pressure scale

### Pointer

Black painted aluminium alloy

### Helium leak rate

Tested to confirm leakage rates of less than  $10^{-8}$  mbar • l /sec

### System filling

Food grade oil (FDA certified)

### Option

Material of wetted parts : electropolished 316L SS

**WISE**<sup>®</sup>

**1. Base model**

**P752S** Sanitary pressure gauge (3-A marking)

**2. Nominal diameter and mounting type**

- 1A** 50 mm, bottom connection (refer to code A)
- 7A** 63 mm, bottom connection (refer to code A)
- 7G** 63 mm, lower back connection (refer to code G)
- 7U** 80 mm, bottom connection (refer to code A)
- 7V** 80 mm, lower back connection (refer to code G)
- 8A** 100 mm, bottom connection (refer to code A)
- 8G** 100 mm, lower back connection (refer to code G)

**3. Body and process connection material**

- D** 316SS

**4. Process connection**

- F** ¾" Tri-clamp, only available with diameter 50 mm
- G** 1" Tri-clamp, only available with diameter 63,80 and 100 mm
- J** 1½" Tri-clamp, only available with diameter 63,80 and 100 mm
- K** 2" Tri-clamp, only available with diameter 63,80 and 100 mm

**5. Unit**

- H** bar
- I** MPa
- J** kPa

**6. Range**

**XXX** Refer to pressure range table

**7. Diaphragm material**

- E** 316L SS

**8. Option**

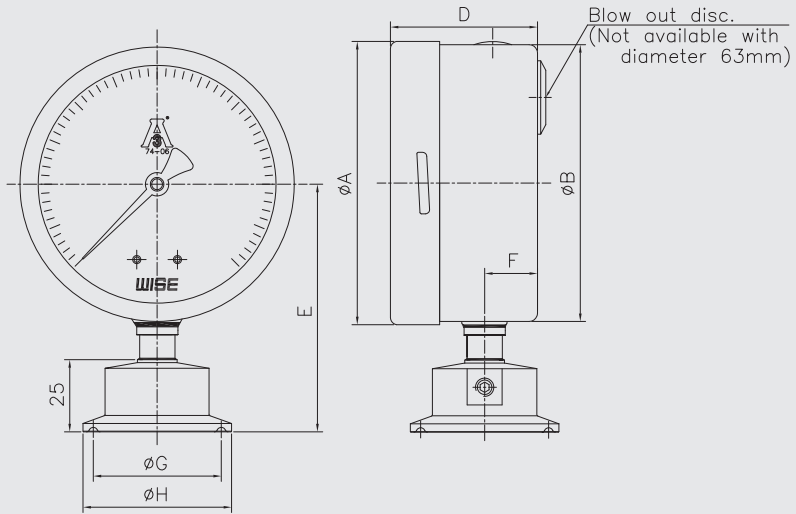
- 0** None
- 1** Accessories

1	2	3	4	5	6	7	8
P752S	1A	D	F	H	XXX	E	0

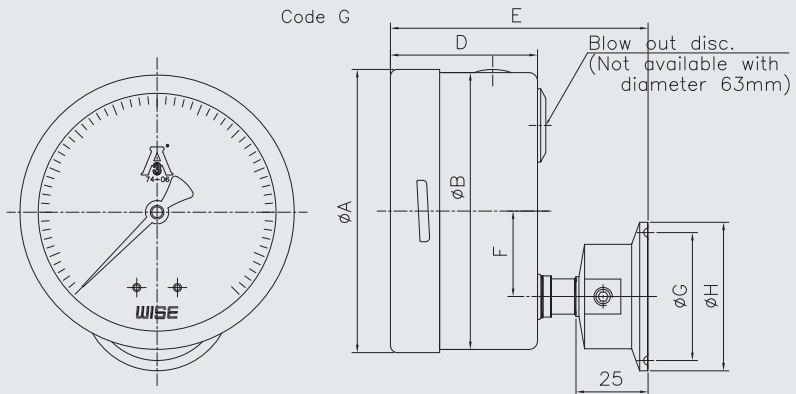
Sample  
ordering code

## P752S : Type of mounting

Code A



Code G



Dimensions (mm)

Dial size	Clamp type	Available code	A	B	D±2	E±2	F±1	G	H	
50	3/4"	A	53	50.8	29	68.3	9	19.5	25	
	1"	A	64	62	33	75.7	11	43.5	50.5	
	1 1/2"							43.5	50.5	
63	2"	A	64	62	33	75.7	11	56.5	64	
	1"							43.5	50.5	
	1 1/2"	G	64	62	33	82.5	13	43.5	50.5	
	2"							56.5	64	
	80	1"	A	81.2	78.5	39.5	84	12	43.5	50.5
		1 1/2"							43.5	50.5
2"		56.5							64	
1"		G	81.2	78.5	39.5	91	22	43.5	50.5	
1 1/2"								43.5	50.5	
2"								56.5	64	
100	1"	A	101.3	99	50	100	16	43.5	50.5	
	1 1/2"							43.5	50.5	
	2"							56.5	64	
	1"	G	101.3	99	50	106.5	24	43.5	50.5	
	1 1/2"							43.5	50.5	
	2"							56.5	64	

## Range table

Range and code	Unit and code			Pressure connection			
	H : bar	I : MPa	J : kPa	¾"	1"	1½"	2"
026	-1 ~ 0	-0.1 ~ 0	-100 ~ 0	X	X	O	O
041	0 ~ 1	0 ~ 0.1	0 ~ 100	X	O	O	O
042	0 ~ 2	0 ~ 0.2	0 ~ 200	O	O	O	O
134	0 ~ 2.5	0 ~ 0.25	0 ~ 250	X	O	O	O
043	0 ~ 3	0 ~ 0.3	0 ~ 300	O	O	O	O
044	0 ~ 4	0 ~ 0.4	0 ~ 400	O	O	O	O
045	0 ~ 6	0 ~ 0.6	0 ~ 600	O	O	O	O
047	0 ~ 10	0 ~ 1	0 ~ 1,000	O	O	O	O
050	0 ~ 15	0 ~ 1.5	X	O	O	O	O
143	0 ~ 16	0 ~ 1.6	X	O	O	O	O
051	0 ~ 20	0 ~ 2	X	O	O	O	O
052	0 ~ 25	0 ~ 2.5	X	O	O	O	O
054	0 ~ 35	0 ~ 3.5	X	O	O	O	O
151	0 ~ 40	0 ~ 4	X	X	O	O	O
055	0 ~ 50	0 ~ 5	X	X	O	O	O
056	0 ~ 60	0 ~ 6	X	X	O	O	O
057	0 ~ 70	0 ~ 7	X	X	O	O	O
027	-1 ~ 1	-0.1 ~ 0.1	-100 ~ 100	X	X	O	O
127	-1 ~ 1.6	-0.1 ~ 0.16	-100 ~ 160	X	X	O	O
028	-1 ~ 2	-0.1 ~ 0.2	-100 ~ 200	X	X	O	O
129	-1 ~ 2.5	-0.1 ~ 0.25	-100 ~ 250	X	X	O	O
029	-1 ~ 3	-0.1 ~ 0.3	-100 ~ 300	X	X	O	O
030	-1 ~ 4	-0.1 ~ 0.4	-100 ~ 400	X	X	O	O
010	-1 ~ 5	-0.1 ~ 0.5	-100 ~ 500	X	X	O	O
031	-1 ~ 6	-0.1 ~ 0.6	-100 ~ 600	X	X	O	O
014	-1 ~ 9	-0.1 ~ 0.9	-100 ~ 900	X	X	O	O
032	-1 ~ 10	-0.1 ~ 1	-100 ~ 1,000	X	X	O	O
033	-1 ~ 15	-0.1 ~ 1.5	X	X	X	O	O
034	-1 ~ 20	-0.1 ~ 2	X	X	X	O	O
035	-1 ~ 25	-0.1 ~ 2.5	X	X	X	O	O

O : Available X : Not available