

# Heavy duty service remote reading thermometer

**Model : T263**

Spec. sheet no. TD02-13

## Service intended

This thermometer is designed to withstand the shock and vibration inherent in heavy duty services.

## Nominal diameter

80 mm

## Accuracy

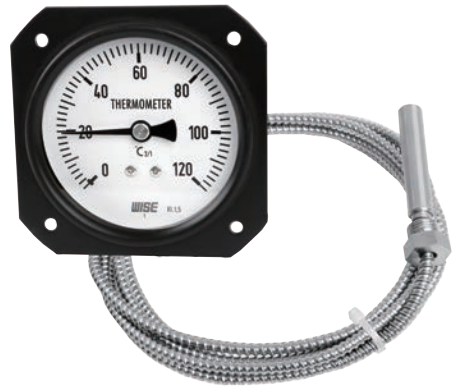
±1.5 % of full scale

## Measuring system (SAMA class IIIB)

Organic gas : 0 ~ 200 °C

## Working range

Maximum scale value



## Standard features

### Location of stem and mounting

Center back connection, flush, cover mounting

### Case and cover

Black finished bronze

### Capillary

Capillary : 1.6/0.2 mm, 316SS  
Armored tube : 7.5/5.5 mm, 304SS

### Window

Laminated safety glass

### Dial

White aluminium with black graduation

### Movement

Stainless steel  
Damper vibration and pulsation

### Pointer

Black painted aluminium alloy

### Stem

8.0, 10.0 and 12.0 mm  
316SS and 316L SS

### Zero adjustment

Internal

### Stem, process connection

3/8", 1/2", 3/4" PT, NPT and PF

### Option

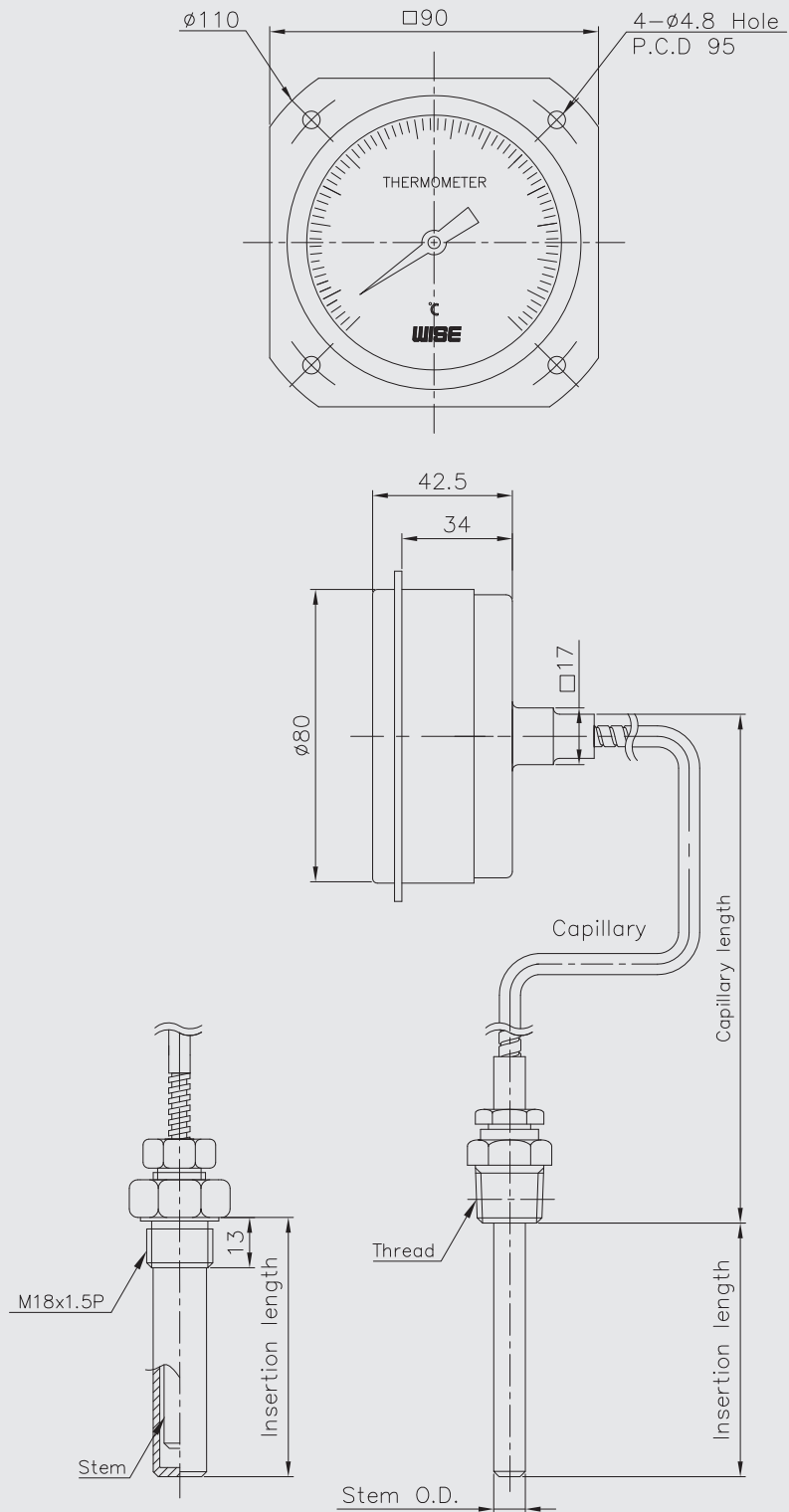
±1.0 % of full scale

**1. Base model****T263** Heavy duty service remote reading thermometer**2. Nominal diameter (mm)****3** 80**3. Type of mounting****L** Center back connection, flush, cover mounting plate**4. Stem material****1** 316SS**2** 316L SS**5. Stem, process connection****A** None**D** 3/8"**E** 1/2"**F** 3/4"**6. Stem connection type (CF: Compression fitting)****A** None**B** PF**C** PT**D** NPT**E** CF + PT**F** CF + NPT**G** CF + PF**H** MT + PT (Movable thread)**I** MT + NPT (Movable thread)**J** MT + PF (Movable thread)**7. Stem outer diameter (mm)****2** 8.0**3** 10.0**4** 12.0**8. Range****XXX** Refer to scale range table**9. Capillary length (m)****P** 2**Q** 3**S** 5**V** 8**X** 10**Z** Other**10. Accessories****0** None**1** Thermowell**S** Special accuracy ( $\pm 1.0\%$  of full scale)**T** Thermowell and special accuracy

1	2	3	4	5	6	7	8	9	10
T263	3	L	1	E	C	3	XXX	P	1

Sample  
ordering code

## T263 : Type of mounting



## Scale ranges

Code	Scale range (°C)	Scale spacing(°C)	Minimum stem length (mm)			Standard stem length (mm)		
			8.0	10.0	12.0	8.0	10.0	12.0
099	0 ~ 50	1	100	85	65	200	130	100
100	0 ~ 60	1	100	85	65	200	130	100
101	0 ~ 70	2	100	85	65	200	130	100
102	0 ~ 80	2	100	85	65	200	130	100
104	0 ~ 100	2	100	85	65	200	130	100
106	0 ~ 120	2	100	85	65	200	130	100
109	0 ~ 150	2	100	85	65	200	130	100
114	0 ~ 200	5	100	85	65	200	130	100

## Insertion length

Code	1	2	3	4	5	6	7	8	9	A	B	C
Length (mm)	50	60	70	80	100	120	130	150	175	200	225	250

Code	D	E	F	G	H	J	K	L	M	N	P
Length (mm)	275	300	350	375	400	450	500	550	1,000	1,500	2,000