

# Glass thermometer

## Model : T400

Spec. sheet no. TD04-01

### Service intended

Glass thermometer is suitable to be used for temperature measurement in various industrial plants such as oil refinery, sugar factory, chemical industry, rubber plant and etc.

### Form

Rectangular

### Accuracy

±2.0 % of full scale

### Measuring system

Liquid filled : 0 ~ 600 °C

### Working range

Maximum scale value



## Standard features

### Location of stem

Bottom connection, direct, "I" type  
Lower back connection, direct, "L" type

### Stem

8.0, 10.0 and 12.0 mm  
Brass, 316SS and 316L SS

### Case

Aluminium alloy

### Stem, process connection

3/8", 1/2" PT, NPT and PF, 22 mm

### Stem connection type

Movable thread

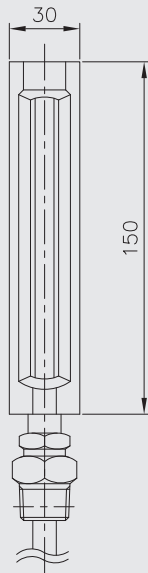
**1. Base model****T400** Glass thermometer**2. Nominal diameter****9** Rectangular**3. Type of mounting****V** Bottom connection, direct, "I" type  
**W** Lower back connection, direct, "L" type**4. Stem material****0** Brass  
**1** 316SS  
**2** 316L SS**5. Stem, process connection****A** None  
**D** 3/8"  
**E** 1/2"  
**F** 3/4"  
**M** 22 mm, Only available with connection type MM (Standard)**6. Stem connection type (CF: Compression fitting)****A** None  
**E** CF + PT  
**F** CF + NPT  
**G** CF + PF  
**H** MT + PT (Movable thread)  
**I** MT + NPT (Movable thread)  
**J** MT + PF (Movable thread)  
**M** MM, only available with connection size 22 mm**7. Stem outer diameter (mm)****2** 8.0  
**3** 10.0 (Standard)  
**4** 12.0  
**Z** Other**8. Range****XXX** Refer to scale range table**9. Insertion length****X** Refer to insertion length table**10. Accessories****0** None  
**1** Thermowell

1	2	3	4	5	6	7	8	9	10
T400	9	V	0	E	C	3	XXX	X	1

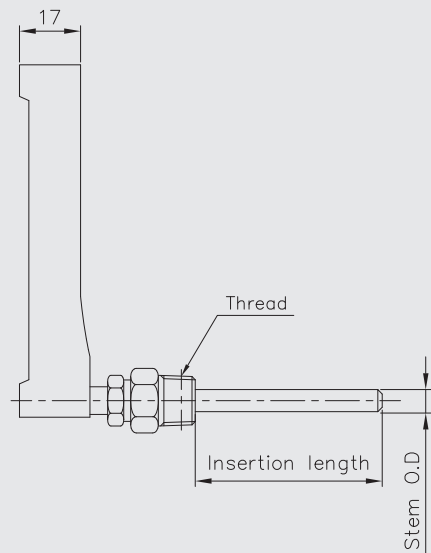
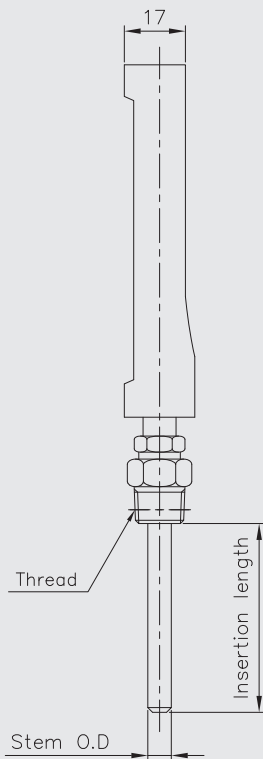
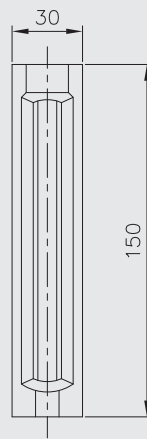
Sample  
ordering code

## T400 : Type of mounting

Code V



Code W



## Scale ranges

Code	Scale range (°C)	Scale spacing (°C)	Minimum stem length (mm)		
			8.0	10.0	12.0
032	-50 ~ 50	2	30	30	50
037	-50 ~ 100	5	30	30	50
054	-30 ~ 50	2	30	30	50
059	-30 ~ 100	5	30	30	50
061	-30 ~ 120	2	30	30	50
069	-20 ~ 50	2	30	30	50
074	-20 ~ 100	2	30	30	50
079	-20 ~ 150	5	30	30	50
084	-10 ~ 50	1	30	30	50
099	0 ~ 50	1	30	30	50
100	0 ~ 60	1	30	30	50
101	0 ~ 70	2	30	30	50
102	0 ~ 80	1	30	30	50
104	0 ~ 100	2	30	30	50
106	0 ~ 120	2	30	30	50
109	0 ~ 150	2	30	30	50
114	0 ~ 200	5	30	30	50
119	0 ~ 250	5	30	30	50
124	0 ~ 300	5	30	30	50
129	0 ~ 350	5	30	30	50
134	0 ~ 400	5	30	30	50
144	0 ~ 500	10	30	30	50
154	0 ~ 600	10	100	45	50

## Insertion length

Code	1	2	3	4	5	6	7	8	9	A	B	C
Length (mm)	50	60	70	80	100	120	130	150	175	200	225	250

Code	D	E	F	G	H	J	K	L	M	N	P
Length (mm)	275	300	350	375	400	450	500	550	1,000	1,500	2,000