

# Differential pressure gauge

## Model: P620, P630 series

Spec. sheet no. PD06-01

### Service intended

P620 and P630 series are designed to measure differential pressure from 1 kPa to 1.5 MPa at static pressure up to 5 and 25 MPa. A set of stainless steel bellows mounted on a force balance allows direct reading of the actual differential pressure.



### Nominal diameter

100 and 160 mm

### Accuracy

±1.0 % of full scale

±1.6 % of full scale

### Scale range (MPa, kPa, bar)

0 ~ 1 kPa to 0 ~ 50 kPa

0 ~ 0.1 MPa to 0 ~ 1.5 MPa

### Static pressure

P620 : 5 MPa

P630 : 25 MPa

### Working temperature

Ambient : -20 ~ 65 °C

Fluid : Max. 100 °C

### Degree of protection

EN60529/IEC529/IP67

### Temperature effect

Accuracy at temperature above and below the reference temperature (20 °C) will be effected by approximately ±0.5 % per 10 °C of full scale



## Standard features

### Pressure connection

Stainless steel (316SS)

### Element

Bellows

Stainless steel (316L SS)

### Case

Stainless steel (304SS)

### Cover

Stainless steel (304SS)

Bayonet type

### Window

Safety glass

### Dial

White aluminium with black graduations

### Pointer

Black painted aluminium alloy

### Process connection

¼" NPT(F)

½" NPT(F) at 3-way and 5-way manifold valve

### Standard accessories

Mounting bracket for 2" pipe

mounting with silver gray finished steel

### Certificates

Pressure equipment directive (2014/68/EU) Annex III Module H

### Option

- Remote seal
- Mounting bracket with 316SS for 2" pipe mounting
- 3-way manifold valve (316SS, Monel)
- 5-way manifold valve (316SS, Monel)

**WISE**<sup>®</sup>

**1. Base model**

- P620** Differential pressure gauge (Static pressure : 5 MPa)  
**P630** Differential pressure gauge (Static pressure : 25 MPa)

**2. Nominal diameter (mm)**

- 4** 100  
**6** 160

**3. Type of mounting**

- D** Bottom connection, mounting bracket for 2" pipe  
**L** Bottom connection, flush, case center mounting plate

**4. Accuracy**

- 3** ±1.0 % of full scale  
**4** ±1.6 % of full scale

**5. Process connection**

- C** ¼" NPT(F)  
**E** ½" NPT(F), only at 3-way and 5-way manifold valve

**6. Mounting bracket**

- D** Standard bracket  
**E** 304SS mounting bracket  
**F** 316SS mounting bracket  
**W** Wall mounting bracket (316SS)  
**N** None

**7. Unit**

- H** bar  
**I** MPa  
**J** kPa  
**S** mbar

**8. Range**

- 041** 0 ~ 0.1 MPa  
**042** 0 ~ 0.2 MPa  
**043** 0 ~ 0.3 MPa  
**044** 0 ~ 0.4 MPa  
**045** 0 ~ 0.6 MPa  
**047** 0 ~ 1 MPa  
**050** 0 ~ 1.5 MPa  
**457** 0 ~ 1 kPa, not available with remote seal type  
**460** 0 ~ 2 kPa, not available with remote seal type  
**462** 0 ~ 3 kPa, not available with remote seal type  
**464** 0 ~ 4 kPa, not available with remote seal type  
**465** 0 ~ 5 kPa, not available with remote seal type  
**469** 0 ~ 10 kPa  
**437** 0 ~ 20 kPa  
**518** 0 ~ 30 kPa  
**040** 0 ~ 50 kPa

**9. Dial color**

- 3** 2 colors

**10. Option**

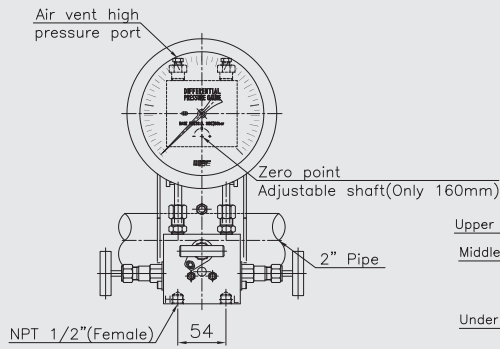
- 0** Standard (2" mounting bracket)  
**1** Accessories (3-way or 5-way manifold valve)  
**2** Standard and glycerin filling  
**3** Manifold valve and glycerin filling  
**6** Standard and silicone filling  
**7** Manifold valve and silicone filling

1	2	3	4	5	6	7	8	9	10
P620	6	D	4	E	D	I	047	3	2

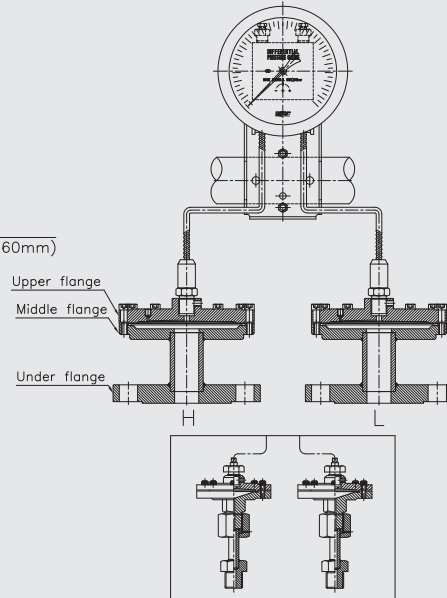
Sample  
ordering code

## P620, P630 : Type of mounting (1/2)

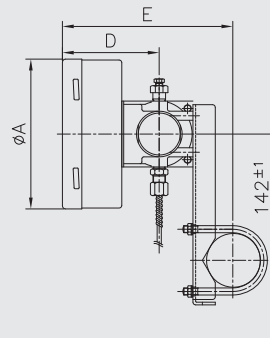
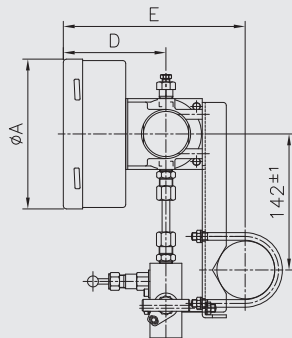
Code ( D )P620 and P630



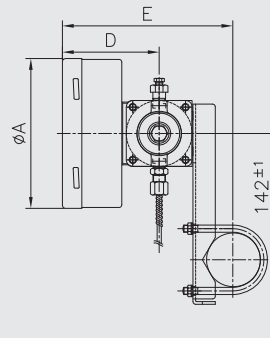
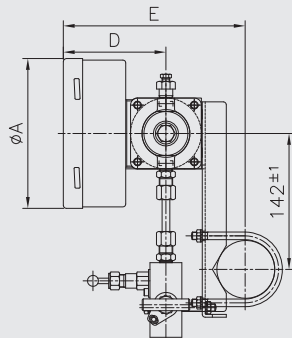
Code ( D )P620 and P630(Remote seal)



P620 (Static pressure : 5 MPa)



P630 (Static pressure : 25 MPa)



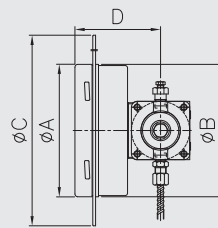
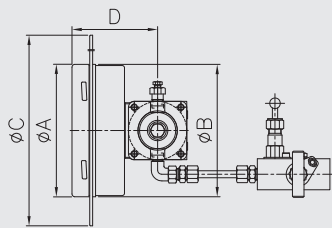
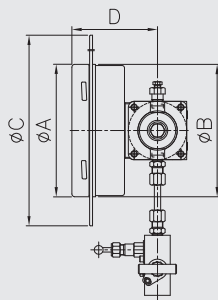
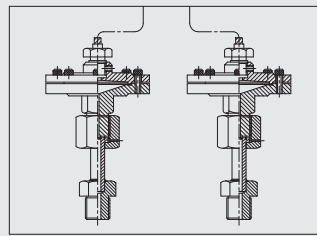
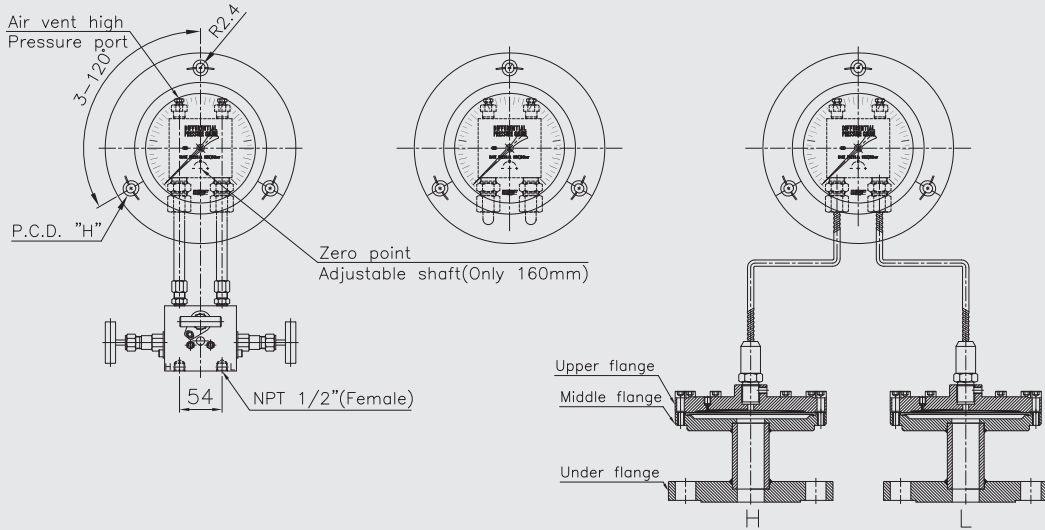
Dimensions (mm)

Dial size	A	D $\pm 2$	E $\pm 2$
100	101.3	98	180.5
160	160.6	106	190

## P620, P630 : Type of mounting (2/2)

Code ( L )P620 and P630

Code ( L )P620 and P630(Remote seal)



Dimensions (mm)

Dial size	A	B	C	D±2	H
100	101.3	100.5	132	98	115~116
160	160.6	162	192	106	175.5~176.5