

Euro gauge Bimetal thermometer

Model : T150

Spec. sheet no. TD01-08

Service intended (EN13190)

Bimetal thermometer is used for measuring temperature of gas or fluid. It is suitable for measurement, regulation and direct monitoring for the fluid. It meets the most stringent criteria on resistance to a corrosive atmosphere and exceptional climatic circumstances.

Nominal diameter

100 and 160 mm

Accuracy

±2.0 % of full scale

Temperature element

Coiled bimetal

Working range

Normal (1 year) : Measuring range
Short time (24 hours) : Scale range

Ambient temperature

-20 ~ 60 °C

Degree of protection

EN60529/IEC529/IP65



Standard features

Location of stem

Center back with adjustable stem
Center back
Bottom

Case

304SS
Bayonet type

Cover

304SS

Window

Glass

Dial

White aluminium with black graduations

Pointer

Micro adjustable aluminium pointer

Stem

6.0, 6.4, 8.0 and 10.0 mm diameter
304SS, 316SS and 316L SS
Max. Insertion length : 2,000 mm

Stem, process connection

¼", ⅜", ½", ¾" PT, NPT and PF
G½B, G¾B

Option

Special accuracy : ±1.0 % of full scale

1. Base model

T150 Euro gauge bimetal thermometer

2. Nominal diameter (mm)

4 100
6 160

3. Type of mounting

V Bottom connection, direct
X Center back connection, direct
Y Center back with adjustable stem

4. Stem material

0 304SS
1 316SS
2 316L SS

5. Stem, process connection

C ¼"
D ⅜"
E ½"
F ¾"

6. Stem connection type (CF: Compression fitting)

B PF
C PT
D NPT
E CF + PT
F CF + NPT
G CF + PF

7. Stem outer diameter (mm)

0 6.0
1 6.4
2 8.0
3 10.0 (Not available process connection, ¼")

8. Range

XXX Refer to scale range table

9. Insertion length

X Refer to insertion length table

10. Accessories

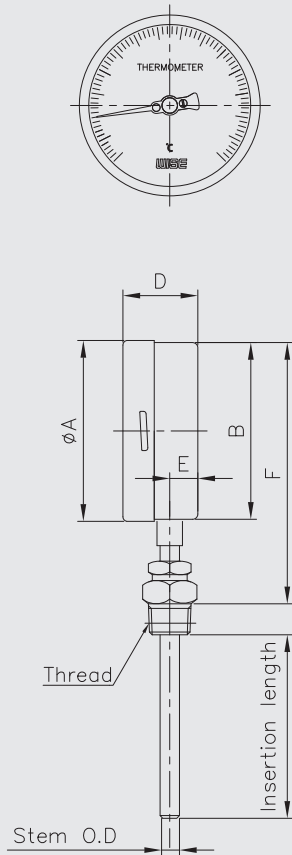
0 None
1 Thermowell
2 Special accuracy (Class 1)
3 Thermowell and special accuracy

1	2	3	4	5	6	7	8	9	10
T150	6	Y	1	F	C	1	XXX	X	1

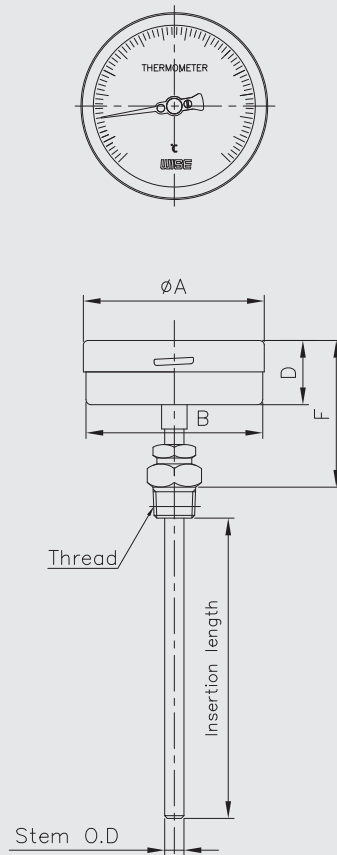
Sample
ordering code

T150 : Type of mounting

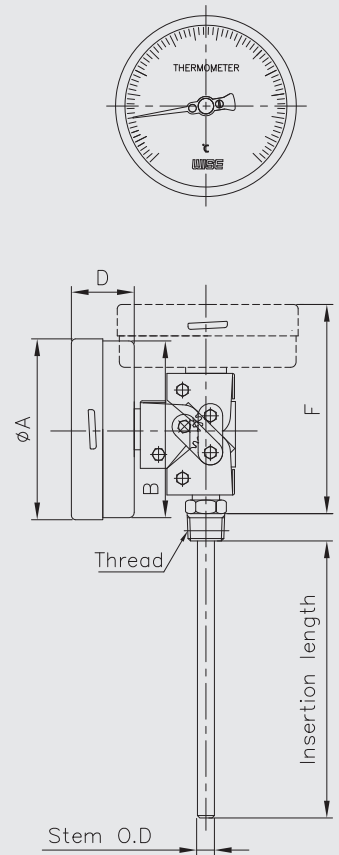
Code V



Code X



Code Y



Dimensions (mm)

Dial Size	Available code	A	B	D±2	E±1	F±2
100	V	101.3	99	50	16	136.5
	X	101.3	99	25		111
	Y	101.3	99	25		106
160	V	160.6	159	52.5	16	166.5
	X	160.6	159	25		111
	Y	160.6	159	25		143

Scale ranges

Code	Scale range (°C)	Measuring range (°C)	Scale spacing (°C)	Limits of error (EN 13190)	Minimum stem length (mm)	
					6.0 and 6.4	8.0 and 10.0
002	-70 ~ 30	-60 ~ 20	1	1	55	55
032	-50 ~ 50	-40 ~ 40	1	1	55	55
054	-30 ~ 50	-20 ~ 40	1	1	70	70
070	-20 ~ -60	-10 ~ 50	1	1	95	95
100	0 ~ 60	10 ~ 50	1	1	95	95
102	0 ~ 80	10 ~ 70	1	1	70	70
104	0 ~ 100	10 ~ 90	1	1	55	55
106	0 ~ 120	10 ~ 110	2	2	50	50
110	0 ~ 160	20 ~ 140	2	2	45	45
114	0 ~ 200	20 ~ 180	2	2	35	35
119	0 ~ 250	30 ~ 220	5	2.5	35	35
124	0 ~ 300	30 ~ 270	5	5	35	35
134	0 ~ 400	50 ~ 350	5	5	80	80
144	0 ~ 500	50 ~ 450	5	5	70	70
154	0 ~ 600	100 ~ 500	10	10	70	70

Insertion length

Code	1	2	3	4	5	6	7	8	9	A	B	C
Length (mm)	50	60	70	80	100	120	130	150	175	200	225	250

Code	D	E	F	G	H	J	K	L	M	N	P
Length (mm)	275	300	350	375	400	450	500	550	1,000	1,500	2,000